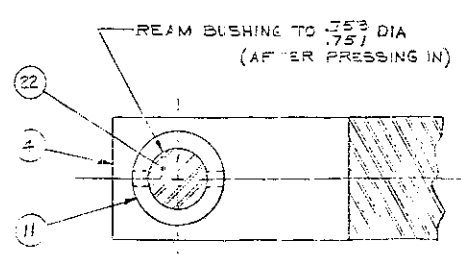
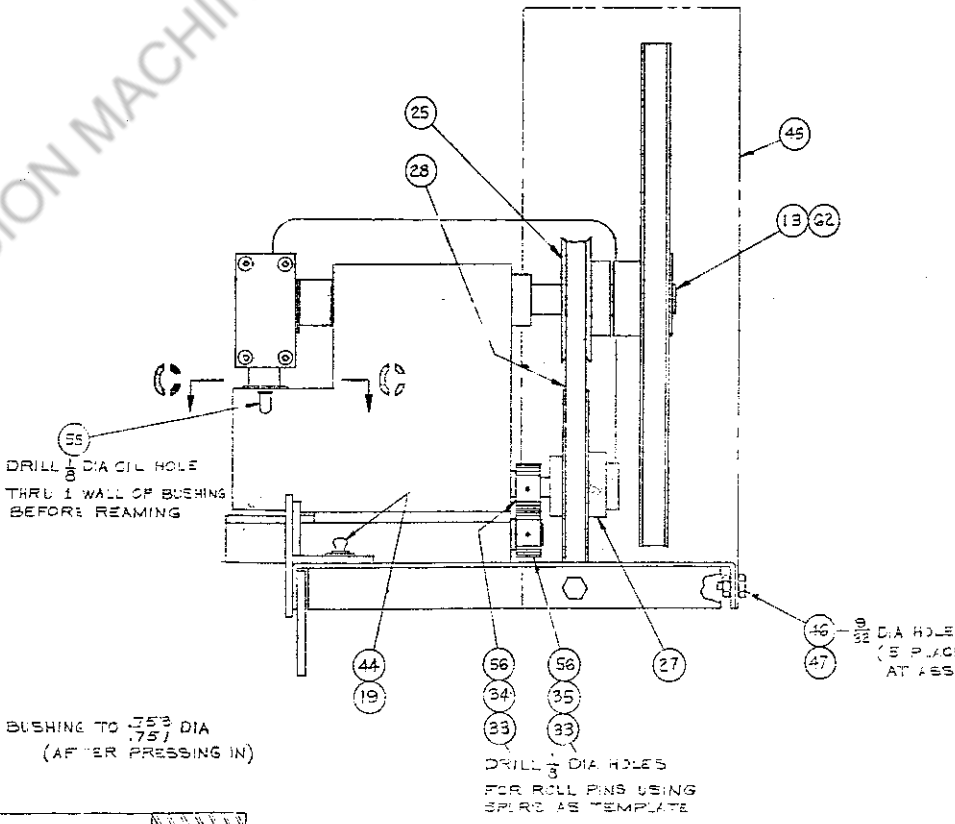
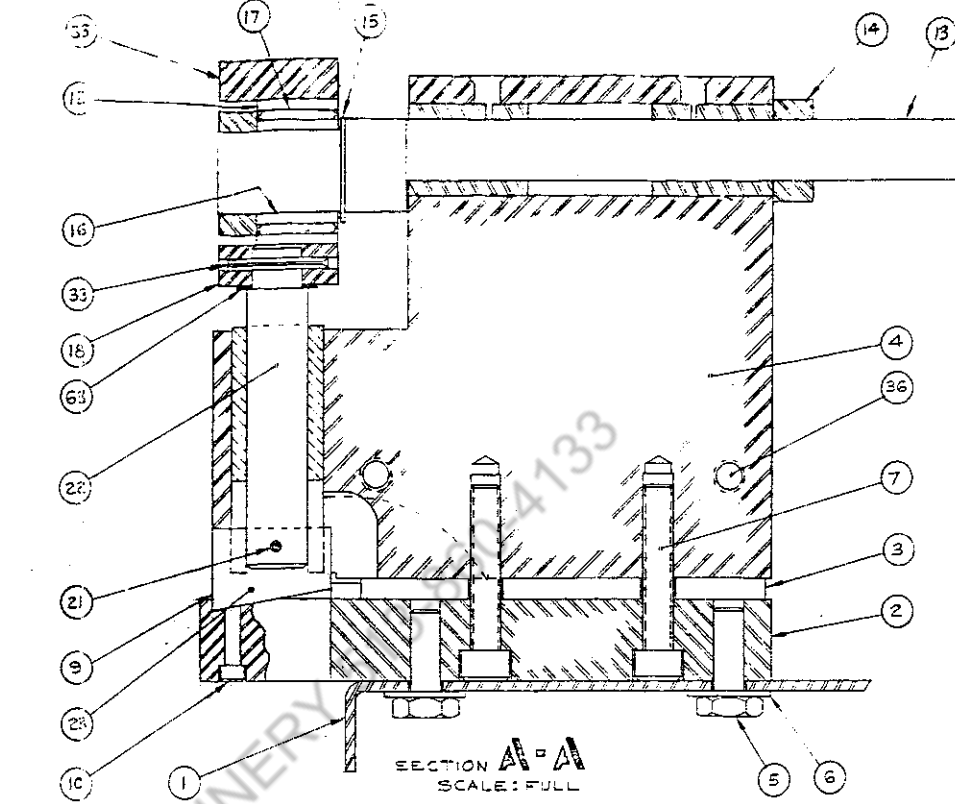
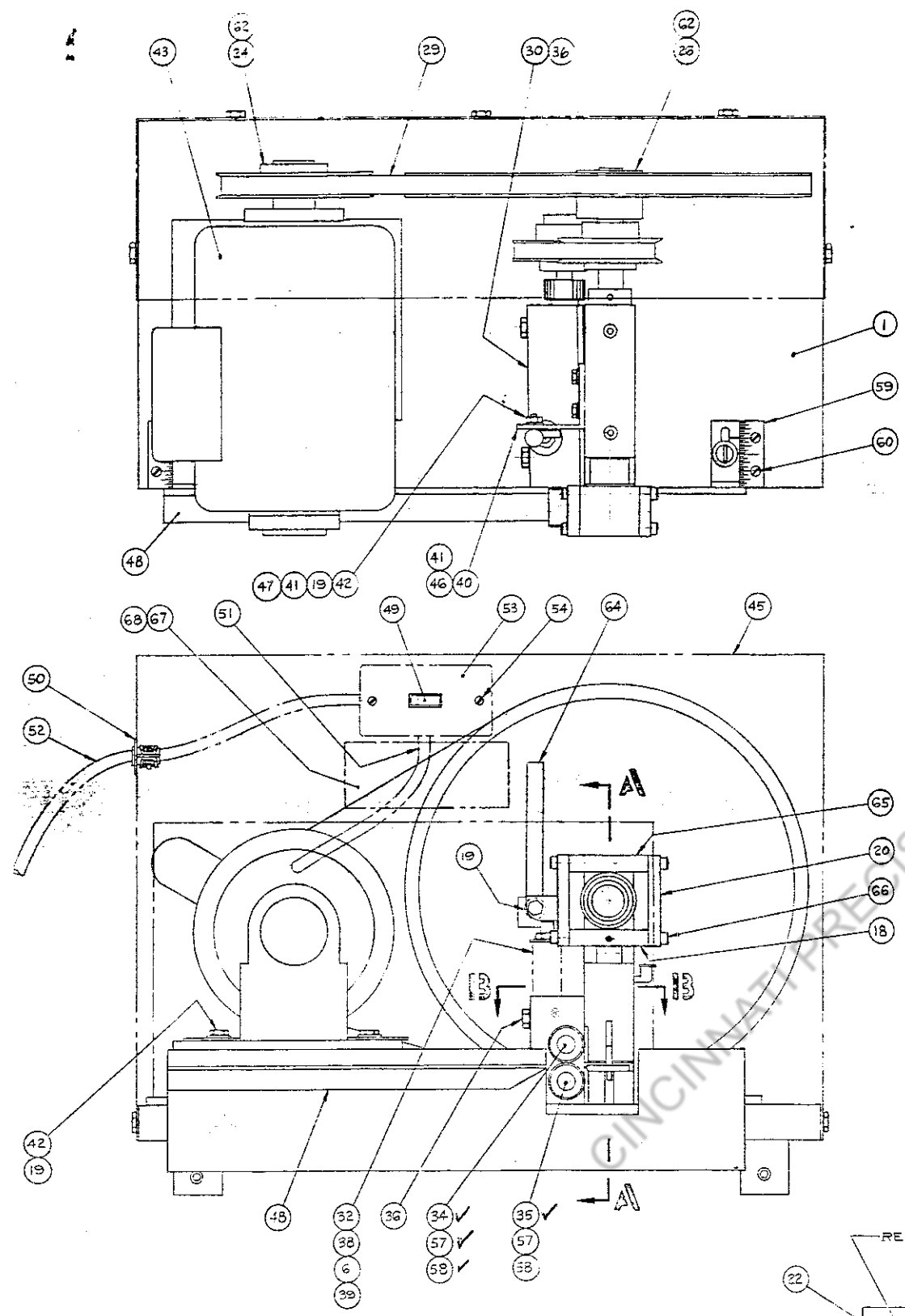


511216



SECTION C-C
SCALE: FULL

| ITEM | QTY | SYMBOL | DESCRIPTION | UNIT | REMARKS |
|------|-----|-----------|---|------|---------|
| 66 | 8 | X | SOCKET HD CAP SCREW, 1/4-20 X 3/4 LG. | | |
| 65 | 1 | A-1063759 | X ECCENTRIC TOP PLATE | | |
| 64 | 1 | A-1289 | X PRESSURE ARM | | |
| 63 | 1 | X | FLAT WASHER, 3/8 I.D. X 1/2 THICK | | |
| 62 | 1 | X | KEY, 3/16 X 3/16 X 1/2 LG. | | |
| 61 | 1 | B-1063734 | X SPACER PLATE (GUIDE BLOCK) | | |
| 60 | 4 | X | SELF-TAPPING SCREW, #10, X 3/8 LG. | | |
| 59 | 2 | B-1063736 | X SCALE | | |
| 58 | 2 | X | ROLL PIN, 3/16 DIA X 1" LG. | | |
| 57 | 2 | A-1065509 | X FEED ROLL | | |
| 56 | 2 | A-2762 | X SPUR GEAR, #750 1/2 I.D. X 1/4 O.D. X 3/4 LG. | | |
| 55 | 1 | X | OIL FITTING, GETS #1201 | | |
| 54 | 2 | X | ROUND HD. MACH. SCREW, #8-32 X 1/2 LG. | | |
| 53 | 1 | X | SWITCH BOX, APPLETON, #58371 V2 | | |
| 52 | 1 | X | FLEXCORD, #16-3 10' LG. | | |
| 51 | 1 | X | FLEXCORD, #16-3 24' LG. | | |
| 50 | 1 | X | CORD GRIP, HUBBELL #112 | | |
| 49 | 1 | X | TOGGLE SWITCH, HUBBELL #1222 | | |
| 48 | 1 | B-1063737 | X FEED & GAUGE ASSY. | | |
| 47 | 6 | X | HEX NUT, 1/4-20 | | |
| 46 | 6 | X | HEX HD. MACH. SCREW, 1/4-20 X 1/2 LG. | | |
| 45 | 1 | C-1063729 | X GUARD WELDMENT | | |
| 44 | 2 | X | THUMB SCREW, 1/4-20 X 1/2 LG. | | |
| 43 | 1 | X | ELECTRIC MOTOR, DAYTON MODEL 6K32L | | |
| 42 | 4 | X | HEX HD. MACH. SCREW, 1/4-20 X 3/4 LG. | | |
| 41 | 2 | X | LOCK WASHER, SPLIT TYPE, 1/4 | | |
| 40 | 1 | A-1690 | X RELEASE ARM BRACKET | | |
| 39 | 1 | X | HEX NUT, 3/8 | | |
| 38 | 1 | X | SQUARE WIRE SPRING, DANLY, 3-1608-21 | | |
| 37 | 1 | B-1063733 | X SHIM WELDMENT | | |
| 36 | 2 | X | HEX HD. MACH. SCREW, 3/8-16 X 2 1/2 LG. | | |
| 35 | 1 | A-1063744 | X DRIVE ROLL SHAFT, LOWER | | |
| 34 | 1 | A-1063743 | X DRIVE ROLL SHAFT, UPPER | | |
| 33 | 3 | X | ROLL PIN, 1/8 X 1 1/4 LG. | | |
| 32 | 1 | A-1715 | X SPRING STUD | | |
| 31 | | | | | |
| 30 | 1 | C-1063728 | X DRIVE ROLL BEARING BLOCK | | |
| 29 | 1 | X | BELT, BROWNING, 4L 450 | | |
| 28 | 1 | X | BELT, BROWNING, 4L 220 | | |
| 27 | 1 | 512060 | X PULLEY, BROWNING, 1VL 34, 1/2 BORE | | |
| 26 | 1 | X | PULLEY, BROWNING, AK124 3/4 BORE | | |
| 25 | 1 | X | PULLEY, BROWNING, 1VL 34, 3/4 BORE | | |
| 24 | 1 | X | PULLEY, BROWNING, 1VP50, 5/8 BORE | | |
| 23 | 1 | A-1065440 | X PUNCH DIE (MALE) | | |
| 22 | 1 | B-1063739 | X PUNCH HOLDER | | |
| 21 | 2 | X | ROLL PIN, 1/8 X 3/4 LG. | | |
| 20 | 2 | A-1063738 | X ECCENTRIC SIDE PLATE | | |
| 19 | 1 | X | FLAT WASHER, 1/4 | | |
| 18 | 1 | A-1063741 | X ECCENTRIC BOTTOM PLATE | | |
| 17 | 1 | X | NEEDLE BEARING, TORRINGTON, B-201G | | |
| 16 | 1 | X | INNER RACE, TORRINGTON, IR-1G1G | | |
| 15 | 1 | X | FLAT WASHER, 1" I.D. | | |
| 14 | 1 | X | SET COLLAR, 3/4 BORE | | |
| 13 | 1 | B-1063740 | X ECCENTRIC SHAFT | | |
| 12 | 1 | X | INNER RACE, TORRINGTON, IR-241G | | |
| 11 | | | | | |
| 10 | 3 | X | SOCKET HD CAP SCREW, #10-32 X 1" LG. | | |
| 9 | 1 | A-1063433 | X DIE PLATE (FEMALE) | | |
| 8 | | | | | |
| 7 | 2 | X | SOCKET HD CAP SCREW, 3/8-16 X 2" LG. | | |
| 6 | 3 | X | FLAT WASHER, 3/8 | | |
| 5 | 2 | X | HEX HD. MACH. SCREW, 3/8-16 X 1" LG. | | |
| 4 | 1 | B-1063506 | X PUNCH GUIDE BLOCK | | |
| 3 | 1 | B-1063735 | X SPACER PLATE (DRIVE ROLL BLOCK) | | |
| 2 | 1 | B-1063742 | X DIE SUPPORT | | |
| 1 | 1 | C-1063525 | X BASE WELDMENT | | |

| REV | REQ | SYMBOL | APPROV | DESCRIPTION | DATE | BY | CHKD | DATE | DESCRIPTION |
|-----|-----|--------|--------|-----------------------------|------|----|------|------|-------------|
| 68 | 4 | X | | METALLIC DRIVE SCREW, NO. 2 | | | | | |
| 67 | 1 | X | | ENGEL NAME PLATE | | | | | |

ENGEL INDUSTRIES INC
 ELLSVILLE MO.
 FINAL ASSEMBLY
 1250 EDGE NOTCHER, HEAVY DUTY
 D-1063725