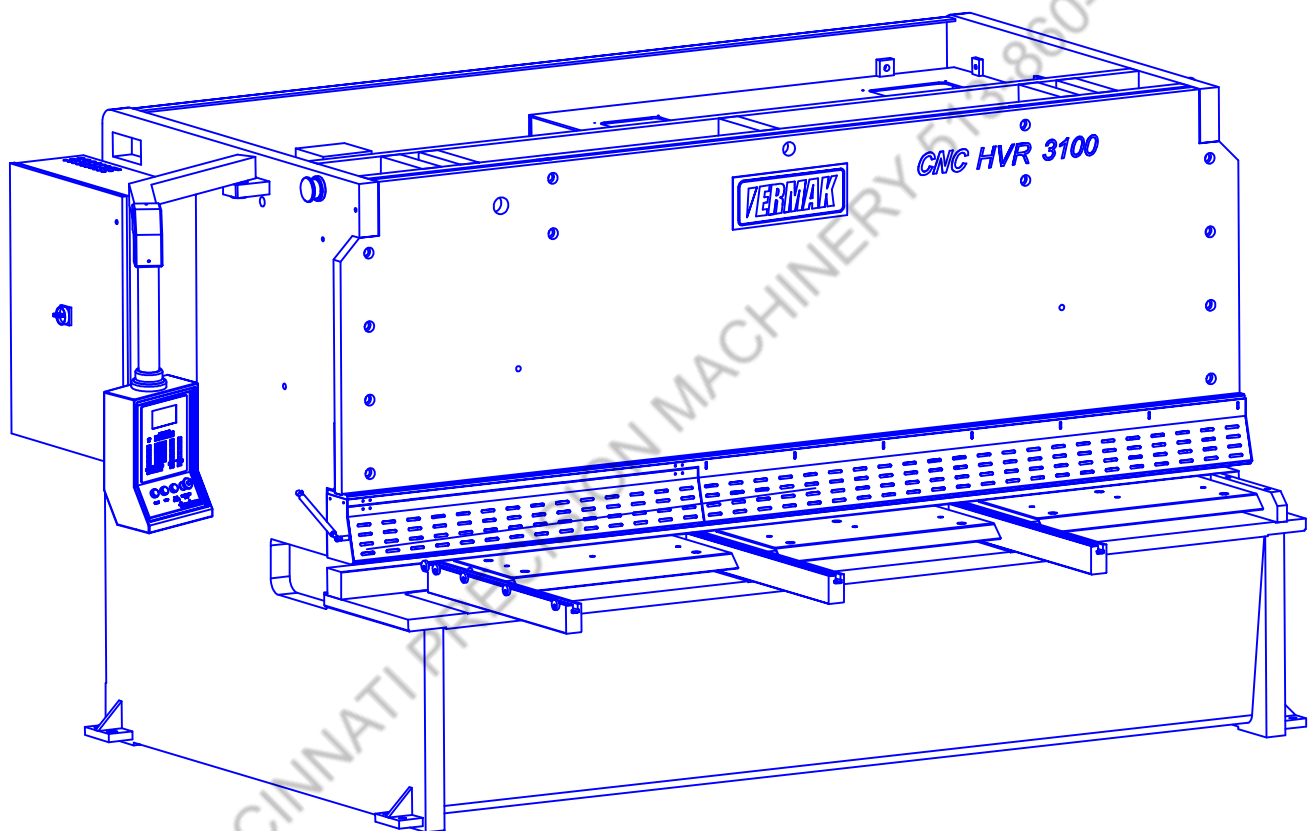


VERMAK

SHEET METAL WORKING MACHINERY CO.



**CNC HVR 10' - 1/4
HYDRAULIC VARIABLE RAKE SHEAR
MANUAL INSTRUCTION**