

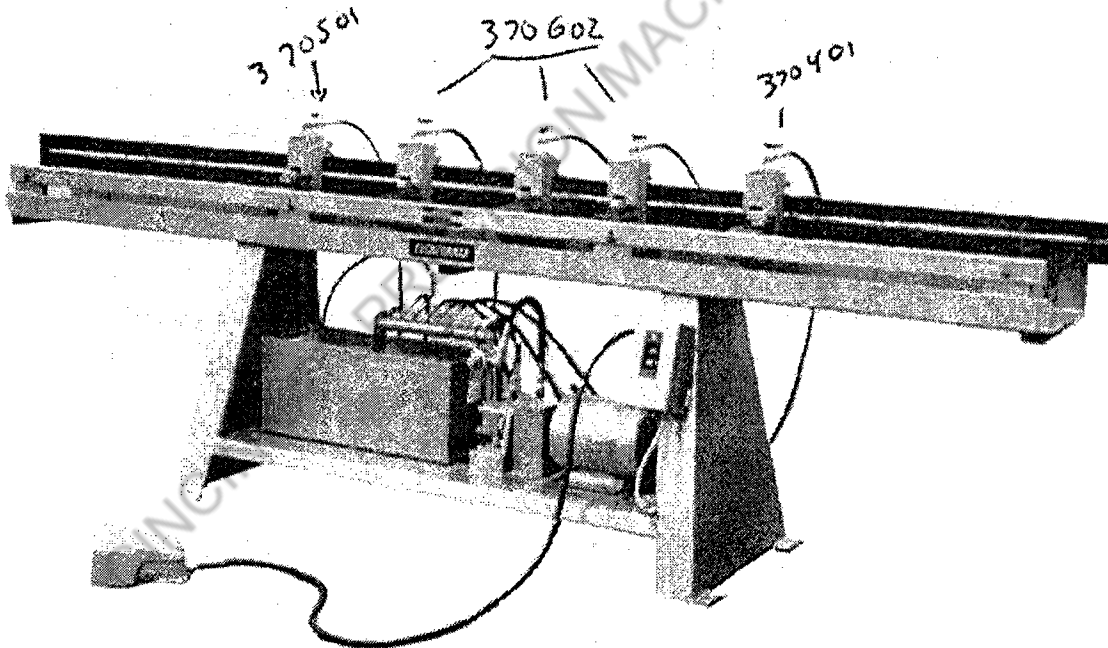
LOCKFORMER

Where the Machines of Tomorrow are Made TodaySM

16 G

Speednotch

**Instructions and
Parts Diagram**



THE LOCKFORMER COMPANY

711 W. OGDEN AVENUE • LISLE, ILLINOIS 60532

PARTS LIST AND DESCRIPTION LOCKFORMER SPEEDNOTCH

PLEASE USE NEW NUMBER
WHEN ORDERING PARTS.

PLEASE USE NEW NUMBER
WHEN ORDERING PARTS.

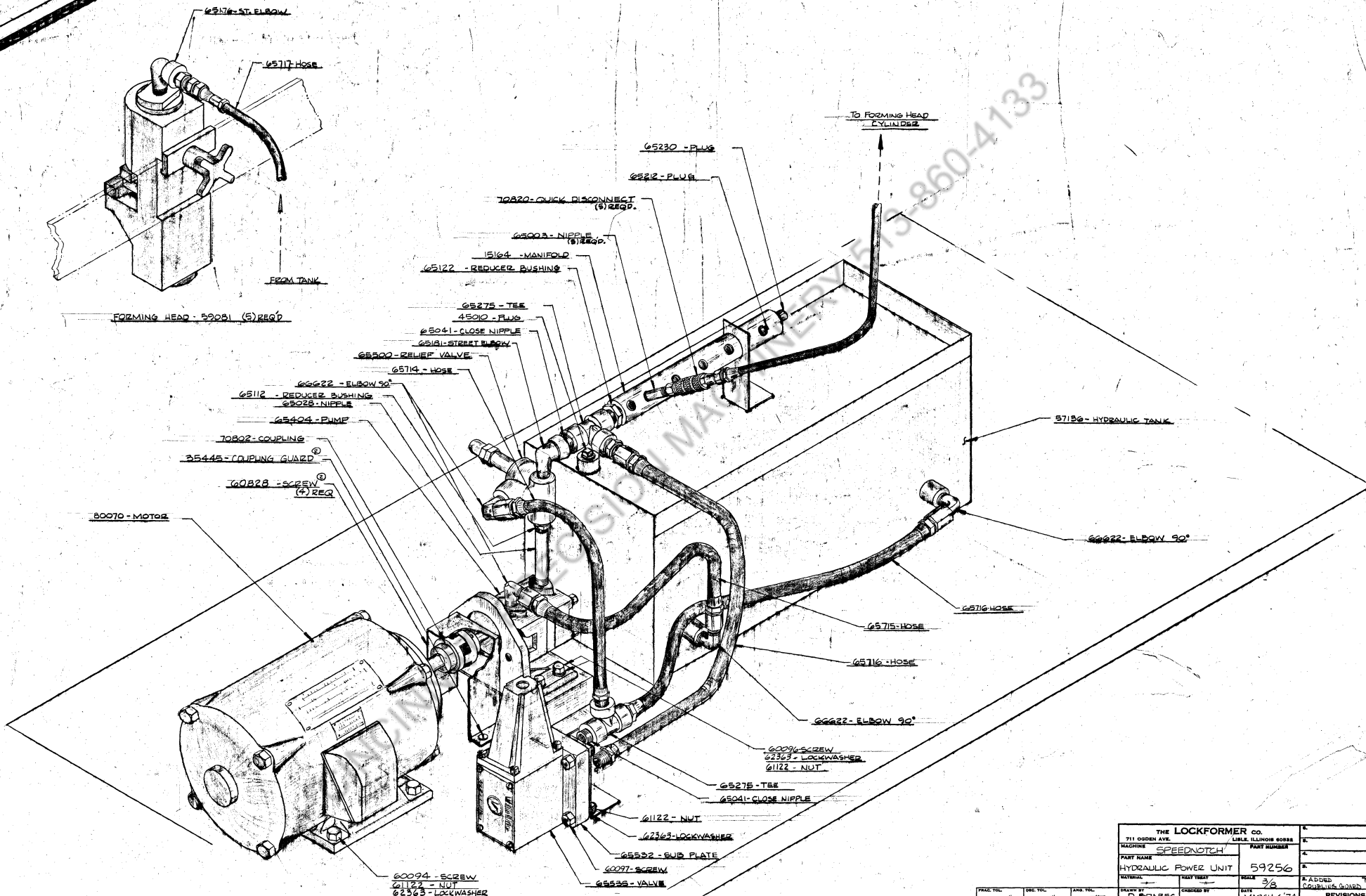
New Part No.	Description	Pieces Per Unit	New Part No.	Description	Pieces Per Unit
66603	Adaptor-Straight	1	56534	Work Guide Assembly	1
66622	Adaptor - 90 degree elbow	3	62029	3/8 x 1/16 Washer	22
65716	Hose	2	60097	3/8-16 x 1 3/4 HH Cap Screw	4
65715	Hose	1	60094	3/8-16 x 1 1/4 HH Cap Screw	12
65714	Hose	1	61120	3/8-16 Heavy Hex Nut	14
66624	Adaptor - 45 degree elbow	1	61122	3/8-16 Hex Nuts - Finished	4
65122	3/4 x 1/2 Hex Bushing	1	62363	3/8 Lock Washer	26
65028	3/8 x 3/4 Nipple	1	60576	10-24 x 1/2 RHMS	3
65112	1/2 x 3/8 Hex Bushing	1	62360	3/16 Lock Washer	3
65181	1/2 Straight Elbow	1	62026	3/8 x .052 Washers	8
65041	1/2 Close Heavy Nipple	3	60795	4 x 3/16 Drive Screw TP-U	4
45010	Vent Pipe Plug	1	70802	G300 Coupling	1
80070	3 HP 3 60 18 182	1	65220	1/2 Nipple	2
80102	Motor Control	1	60828	Form Screws	4
80503	12-2 x 8 Cord	1	60091	3/8-16 x 1 HH Cap Screw	10
80502	Cord 12-2 37	1	60303	1/4-20 x 3/4 SH Cap Screw	60
82249	W49 Heater Element	3	60306	1/4-20 x 1 1/2 SH Cap Screw	4
80421	BX Cable 12-3 44	1	60575	10-24 x 3/8 Round Head Machine Screw	4
80483	BX Connector	5	61040	10-24 Hex Nut	7
80485	BX Elbow Connector	1	65275	1/2 x 1/2 x 1/2 Tee	2
80208	Foot Switch - 80208	1	80554	Wire Nut	1
65404	Hydraulic Pump	1	80601	Terminal	5
65500	Valve - Relief	1	80608	Wire Joint	2
65535	Solenoid Valve	1	85178	Lockformer Logo	1
65532	Valve Sub Plate	1	85309	Caution Tag	1
15164	Manifold	1	58546	Stand Assembly	1
35445	Coupling Cover	1	60262	3/4-10 x 3 1/2 HH Cap Screw	1
65230	3/4 Plug	1	85140	10 Foot Tape Measure	1
65212	1/4 Nipple SHPP	1	85143	Double Faced Packing Tape	120"
65717	Hose	5	57136	Hydraulic Tank Assembly	1
60650	5/16-18 x 5/16 SSS	1			

16 GAUGE SPEEDNOTCH SERIAL NO. VG 2042 & FOLLOWING

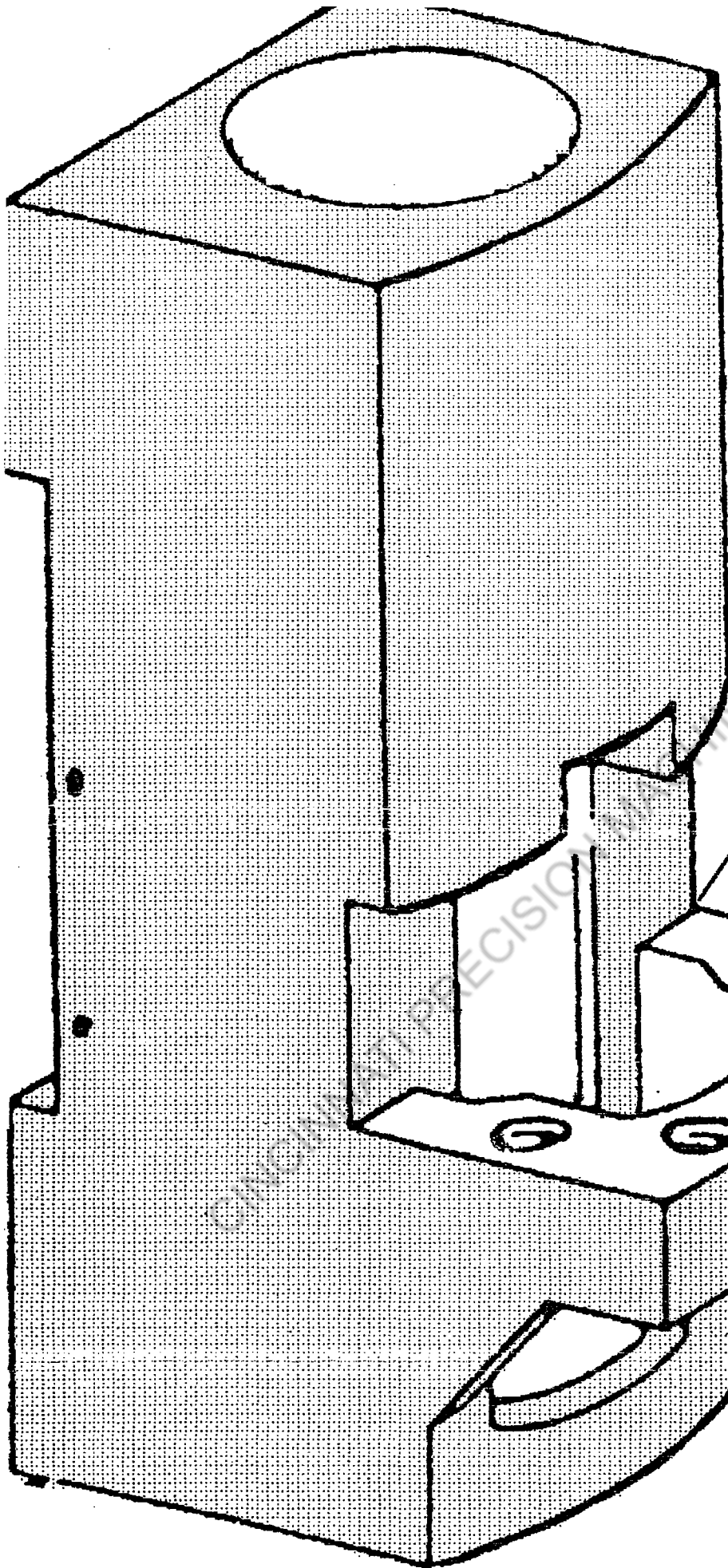
65001	1/4 x 1 Heavy Nipple	5
65303	1/4 x Swivel Adaptor	5
65572	Shut Off Valve	5

16 GAUGE SPEEDNOTCH SERIAL NO. VG 2041 & BELOW

65003	1/4 x 2 Heavy Nipple	5
70820	Quick Disconnect	5
70790	Sash Chain	5
65751	Hose Clamp	10
56533	Punch Gauge Bar Assembly	1



THE LOCKFORMER CO.		711 OGDEN AVE.		SHELL OILMOR HORSE	
MACHINE	SPEEDNOTEH	PART NUMBER	59256		
PART NAME	HYDRAULIC POWER UNIT		SCALE	3/8	
MATERIAL	HEAT TREAT	DATE	MARCH 6/74		REVISIONS
DESIGNED BY	D. SZABEC	CHECKED BY			



IMPORTANT

SPEEDNOTCH

IF X DIMENSION IS:

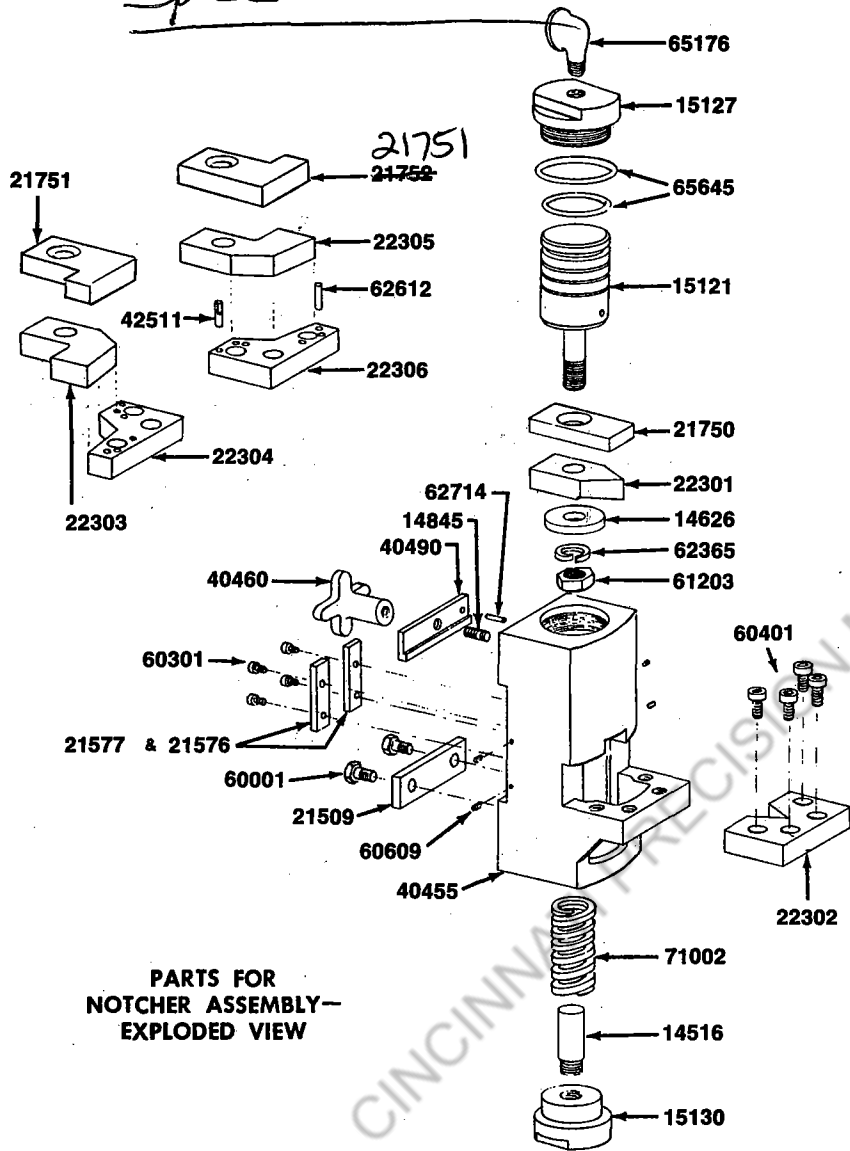
3 1/2" - HEAD USES

O-RINGS (1) 65637 and (1) 65645

4" - HEAD USES

O-RINGS (2) 65645

SPEED NOTCH



PARTS FOR NOTCHER ASSEMBLY—EXPLODED VIEW

PARTS LIST AND DESCRIPTION OF HEAD AND DIE ASSEMBLY

PLEASE USE NEW NUMBER WHEN ORDERING PARTS.

PLEASE USE NEW NUMBER WHEN ORDERING PARTS.

New Part No.	Description	Pieces Per Unit	New Part No.	Description	Pieces Per Unit
40455	Cylinder	5	22301	Punch	3
15127	Head	5	22302	Die Vee	3
15121	Piston	5	22303	Punch Left	1
21750	Backing Plate	3	22304	Die Left	1
21751	Backing Plate Left	1	22305	Punch Right	1
21752	Backing Plate Right	1	22306	Die Right	1
14626	Guide Washer	5	65176	1/4 Straight Elbow	5
71002	Compression Spring	5	65001	1/4 x 1 Nipple	5
14516	Spring Guide	5	65645	O Rings	10
15130	Bottom Cap	5	62714	3/16 x 1 Roll Pin	5
14845	Stud	5	62365	5/8 Lock Washer	5
40490	Cylinder Clamp	5	61203	5/8-11 Hex Nut Finished 15/16	5
40460	Handle	5	60301	1/4-28 x 3/8 SH Cap Screw	20
21577	Gib Left	5	65303	1/4 Swivel Adaptor	5
21576	Gib Right	5	60401	3/8-16 x 3/4 SHCS	18
21509	Guide Plate	5	60001	1/4-28 x 1/2 HH Cap Screw	10
62612	1/4 x 3/4 Dowel Pin	2	60609	1/4-28 x 5/16 Socket Set Screw	20
42511	Gauge Step Pin	3	65572	Ball Valves	5

