

IDLER ASS'Y STA. #4/5

1

- BEARINGS REQ'D
- 100166-00 / 100171-00
  - (1) HK2512 100305-00
  - (2) AKK 2542 100309-00
  - (3) AS 2542 100310-00
- BEARINGS REQ'D
- 100163-00 / 100172-00
  - (1) HK2520 100306-00
  - (2) AKK 2542 100309-00
  - (4) AS 2542 100310-00

- FASTENERS REQ'D
- a = 91290A820 M16x 50mm long SHCS (1)
  - 91169A240 M16 MED Lock Washer (1)
  - b = 91290A515 M10 x 20mm LG SHCS (1)
  - c = 91290A434 M8 x 35mm LG SHCS (2)
  - 91169A200 M8 MED LOCK WASHER (2)
  - 91166A270 M8 TRK WASHER (2)
  - e = 91290A346 M6 x 50mm LG HHCS (1)
  - 9065A443 M6 HEX NUT (1)
  - f = 92029A303 M8 x 10mm LG S.S.S. (2)
  - g = 91290A548 M10 x 10mm LG SHCS (1)
  - 91169A200 M10 MED LOCK WASHER (1)
  - 91166A280 M10 MED FLAT WASHER (1)
  - h = 91290A530 M10 x 45mm SHCS (1)
  - j = M10 X 90 (5)
  - M10 MED LV (5)

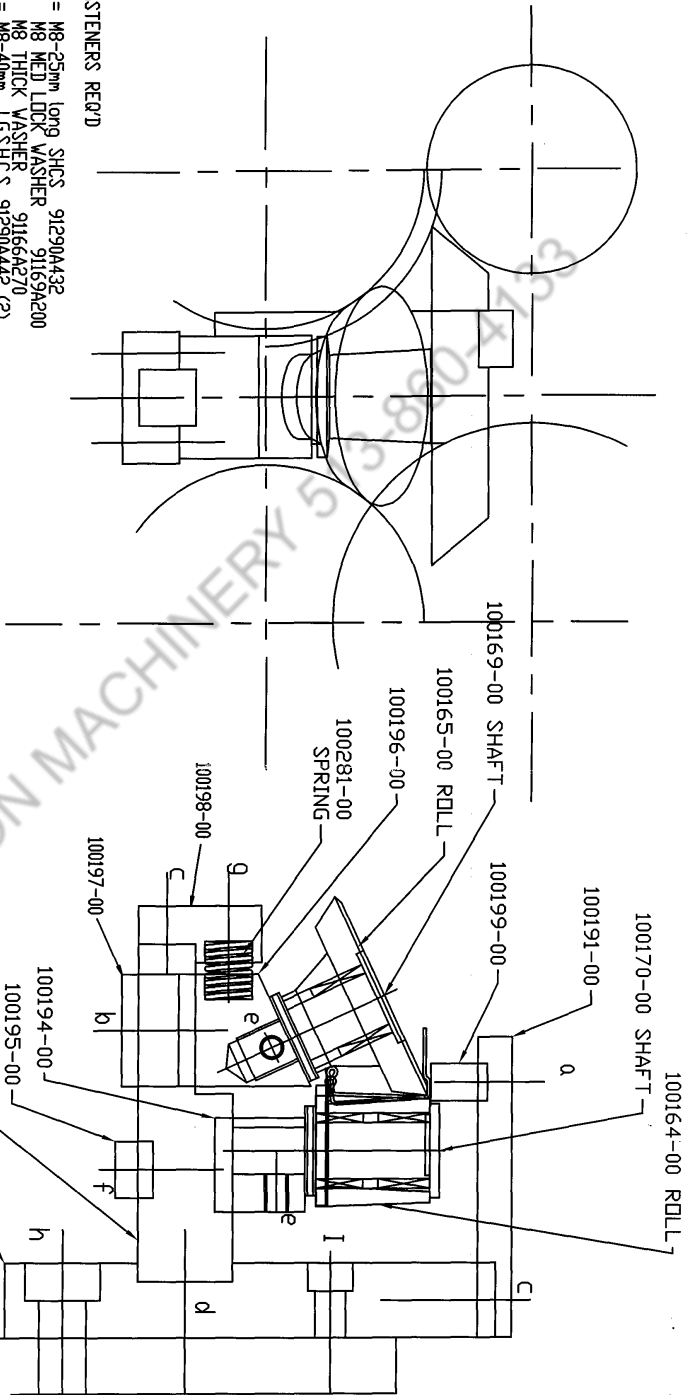
- FASTENERS REQ'D
- a = M8-25mm long SHCS 91290A432
  - M8 MED LOCK WASHER 91169A200
  - M8 THICK WASHER 91166A270
  - b = M8-40mm LG.S.HCS 91290A442 (2)
  - M8-MED LOCKWASHER 91169A200 (2)
  - M8 THICK WASHER 91166A270 (2)
  - c = M8-30mm LG. SHCS 91290A434 (2)
  - M8-MED LOCK WASHER 91169A200 (2)
  - d = M10-20mm LG. SHCS 91290A516 (1)
  - e = M8-10mm LG. S.S.S. 92029A303 (2)
  - f = M8-50mm LG.S.HCS 91290A448(2)
  - M8-MED LOCK WASHER 91169A200 (2)
  - g = M10-50mm LG. HHCS 91290A448(1)
  - M10 HEX NUT #90685A046 (1)
  - h = M16 x 40mm long SHCS # 91290A810 (1)
  - i = M10 x 30mm long SHCS #91290A522 (1)

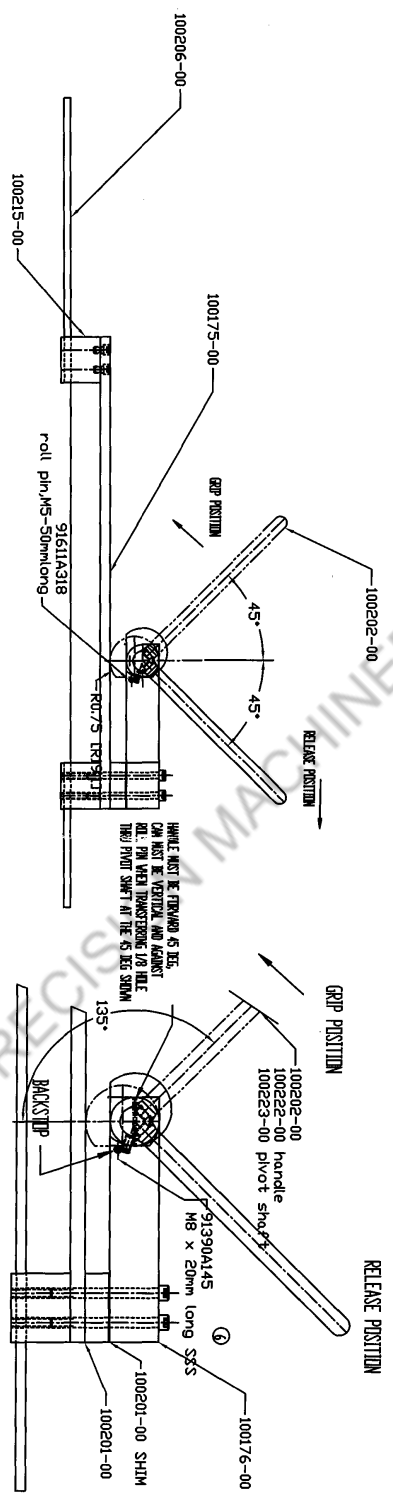
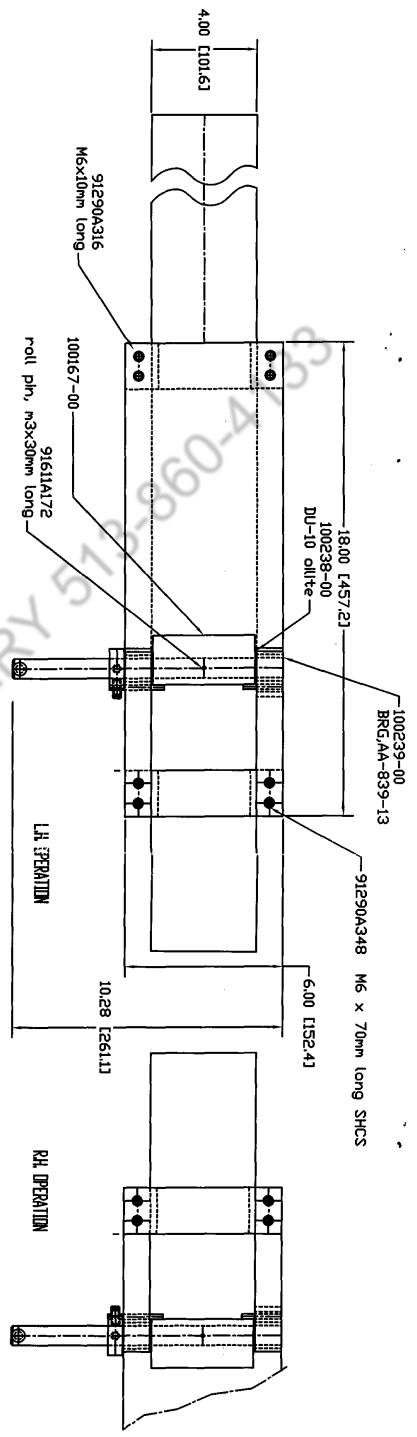
- BEARINGS REQ'D
- 100165-00/100169-00
  - (1) HK2016 100304-00
  - (1) AKK 2025 100307-00
  - (2) AS2035 100308-00

- BEARINGS REQ'D
- 100164-00/100170-00
  - (2) HK2016 100304-00
  - (2) AKK2035 100307-00
  - (4) AS2035 100308-00

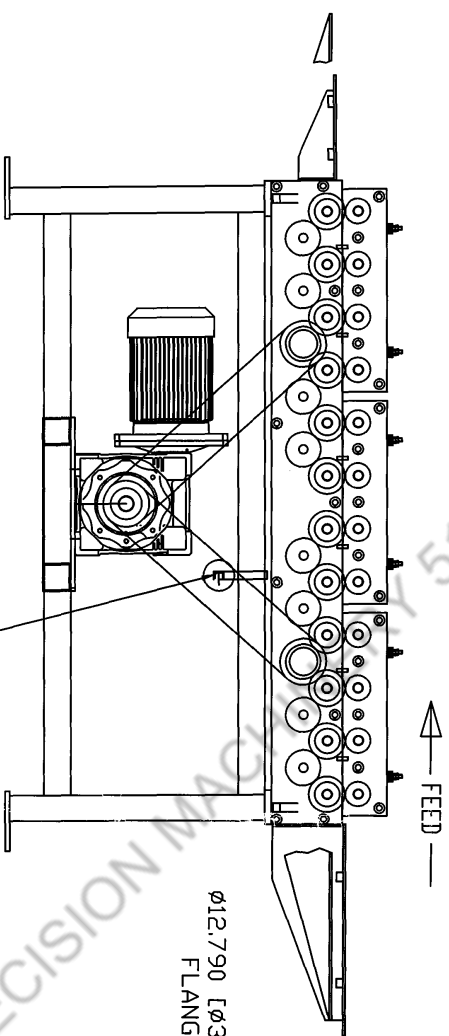
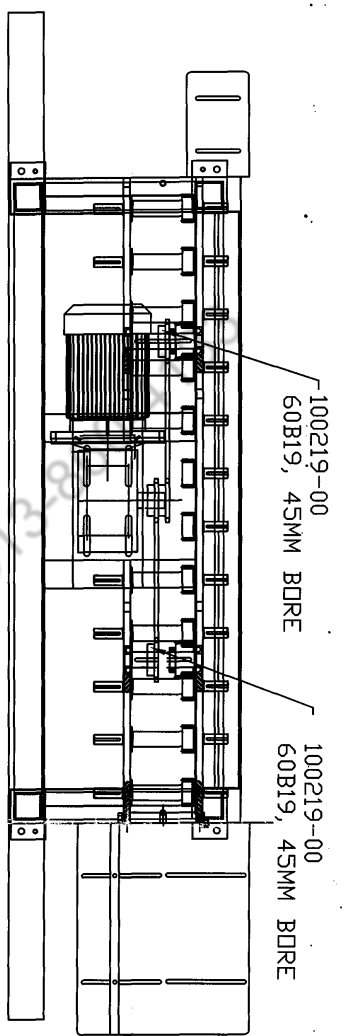
- 100192-00
- 100193-00
- 100194-00
- 100195-00
- 100197-00
- 100198-00
- 100199-00
- 100170-00 SHAFT
- 100191-00
- 100164-00 ROLL
- 100165-00 ROLL
- 100196-00
- 100281-00 SPRING
- 100173-00

# IDLER #11-12 ASSEMBLY





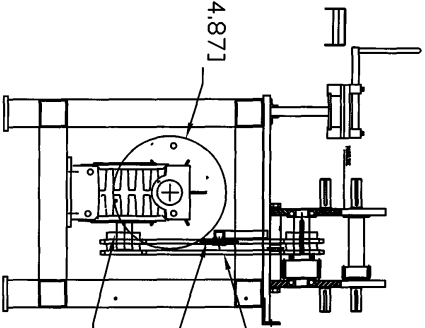
CINCINNATI PRECISION MACHINERY 513-560-4133



100284-00  
NMRV130-AS-30-132S-4B3/7.5HP/REDUCER

1D347  
MARTINI:  
ND, E-5006, CHAIN TIGHTENER  
60BB13H, ND63, 13T IDLER SPROCKET

∅12.790 [∅324.871]  
FLANGE

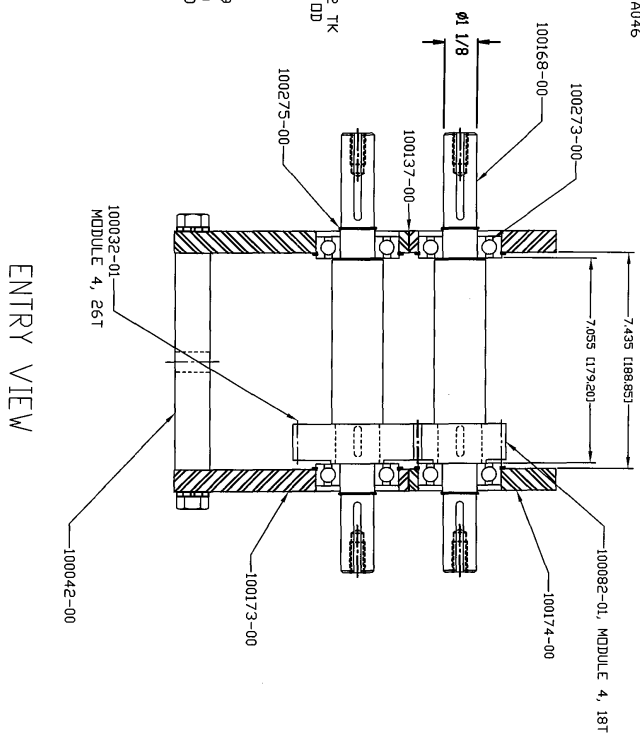
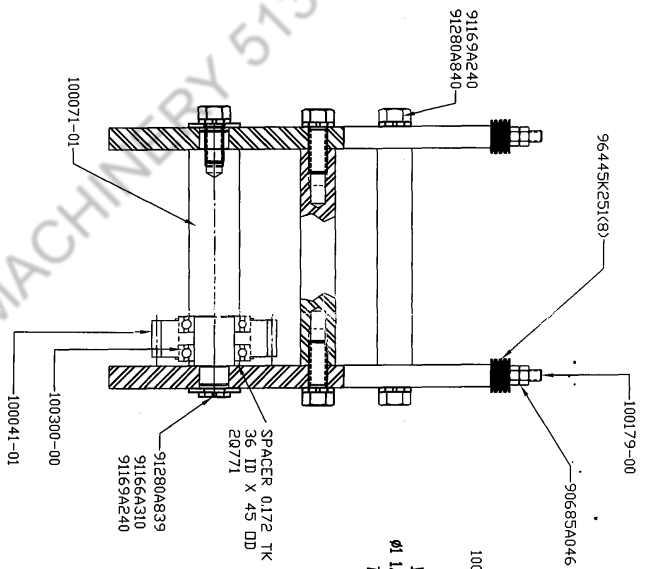
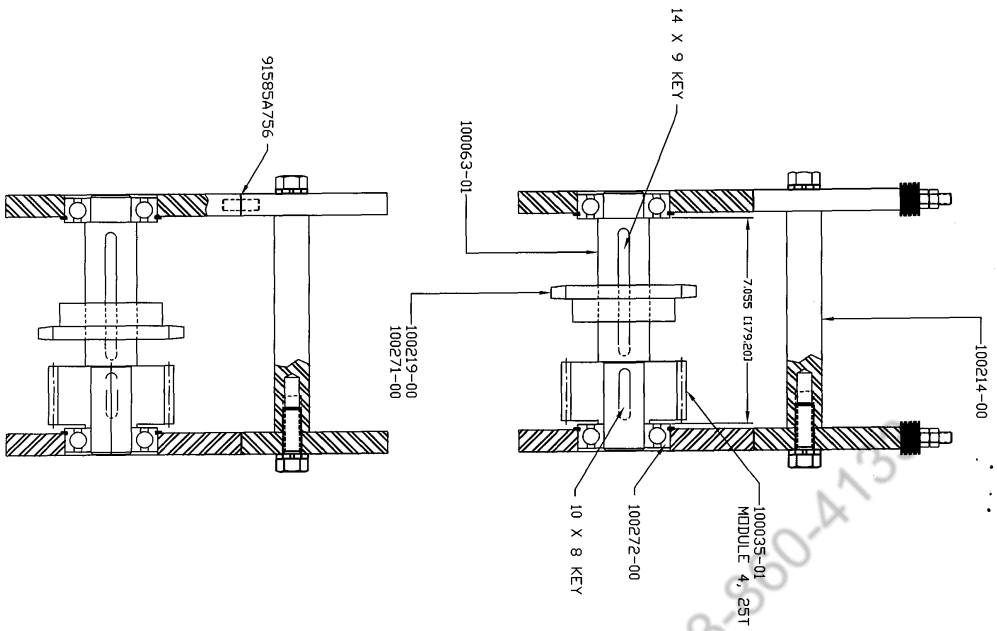


100242-00  
#60 CHAIN

100241-00  
#60 CONN LINK

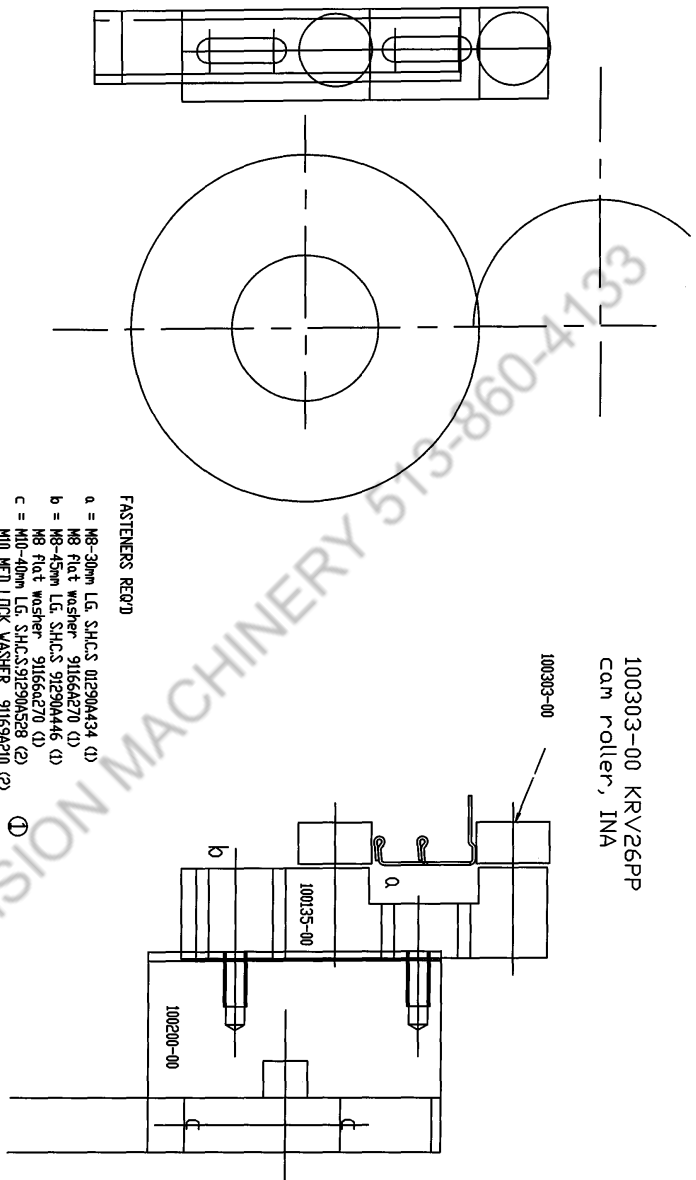
100219-00  
60B19, 45MM∅  
[2 REQ'D]

CINCINNATI PRECISION MACHINERY 5138



CINCINNATI PRECISION MACHINERY 513-860-4151

100303-00 KRV26PP  
Cam roller, INA



STRAIGHTENER ASS'Y, L.H.

CINCINNATI PRECISION MACHINERY 513-860-4133